
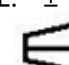


SHIRUI Hefei Shirui Electronic Technology Co.,Ltd

SR NO. SR-BASE032	MATERIAL: PET	UNIT: mm	DRN.	WILL H
MODEL NAME: BASE032 4P	UL REC: UL 94V-0	TOLERANCE 0<X<4 ±0.1 4<X<16 ±0.2 16<X<60 ±0.3 PIN PITCH ±0.2	CHD.	IRINA LEE
	ANGLE: ±°   SCALE 1:1		ISSD.	JAMES HU